



### Goliath

The Goliath pump is self-priming up to 9,6 meter and is extremely suitable for full-continuous use. These pumps are mostly used for well-dewatering but they also find their application in industry and agriculture. There are special executions available for pumping contaminated groundwater or as a bilge pump in the shipbuilding industry.

In the pump house there are two pairs of valves that are easy to replace and a stone catcher that holds back the roughest pieces of dirt.

### Key features of the Goliath piston pump

- Double-acting piston pump
- Self-priming up to 9,6 meter
- Can pump large quantities of air, ideal for full-continuous use
- Very low maintenance costs
- Long lifespan
- High return on investment
- Ergonomic design
- Low engine power – very economical

### Why choose a piston pump of Clasal

- Compact and light yet large in capacity, efficiency and lifespan
- Low energy consumption: less than 25% compared to a centrifugal pump
- Recuperation of groundwater leads to a smaller water bill

### Clasal – the pioneers

Clasal is the pioneer of piston pump technology. House of confidence among installers and end users. It's our philosophy to help you with your piston pumps that will last a lifetime.



### Pump specifications

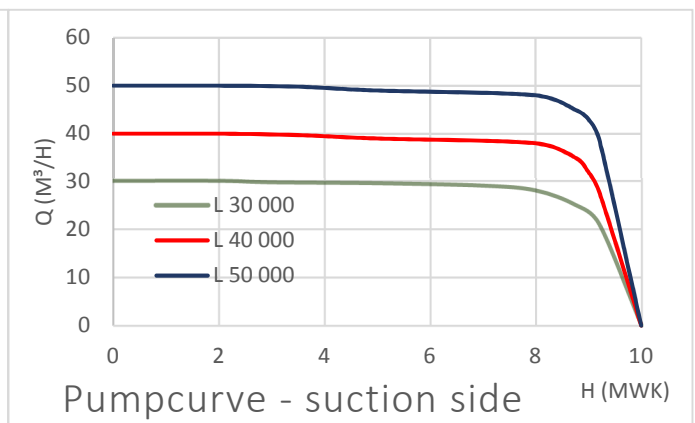
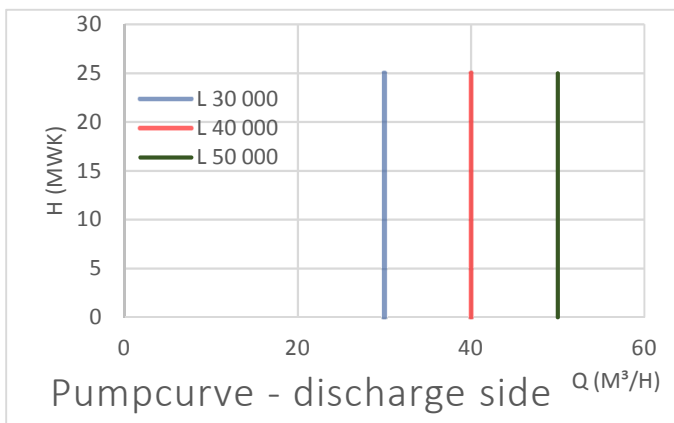
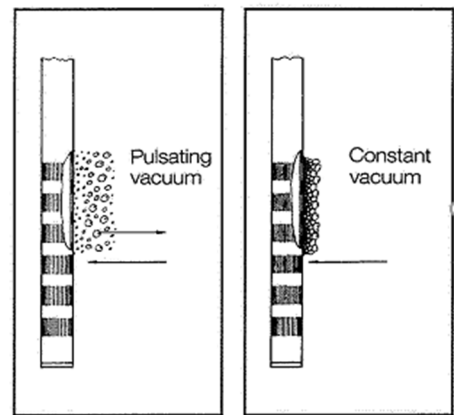
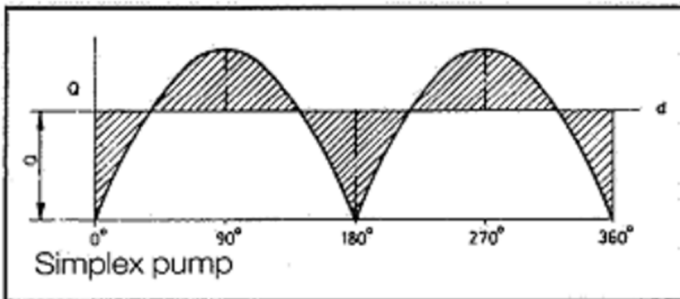
Type		XL30	XL40	XL53
Q (flow)	m <sup>3</sup> /h	30000	40000	53000
Engine power (max 2 bar)	kW	3	4	4
Engine power (max 4 bar)	kW	5,5	7,5	11
Engine power (max 6 bar)	kW	7,5	11	15
Suction		DN 100 / 4"	DN 100 / 4"	DN 100 / 4"
Discharge		DN 100 / 4"	DN 100 / 4"	DN 100 / 4"
Dimensions lwxhxh	mm	1700x570x930	1700x570x930	1700x570x930

## STANDARD TECHNICAL SPECIFICATIONS FOR THE GOLIATH PUMP

<b>Gearbox</b>	Tough, compact construction with integral single helical precision gears
<b>Lubrication</b>	Automatic oil splash lubrication
<b>Piston discs</b>	Aluminium
<b>Cylinders</b>	Stainless steel, thick walled
<b>Piston rod</b>	Wear- and corrosion resistant, stainless steel piston rods
<b>Valves</b>	Flat spring-loaded high quality valves
<b>Valve seats</b>	Brass
<b>Gearbox, pump housing</b>	Alloy cast iron
<b>Cross head</b>	Connected via a slide bearing with the crank shaft
<b>Stuffing box packing</b>	Soft rameh gasket, impregnated with teflon

### Operational characteristics

Water, air or water and air mixtures are primed and discharged twice per crankshaft revolution. The crank timing produces a moderate pulsating type action in the dewatering line that prevents clogging of the wellpoint strainers and achieves priming from greater depths.





### Well point dewatering

The main application of the Goliath piston pump is as a well point dewatering pump. The level of the groundwater is often high in low-lying areas and in deltas with sandy soil. For the foundations of buildings and construction pits, pumps are needed with high suction capabilities, low energy consumption and minimum maintenance. With all these criteria met, the Goliath piston pump is ideal for well point dewatering.



### Groundwater remediation

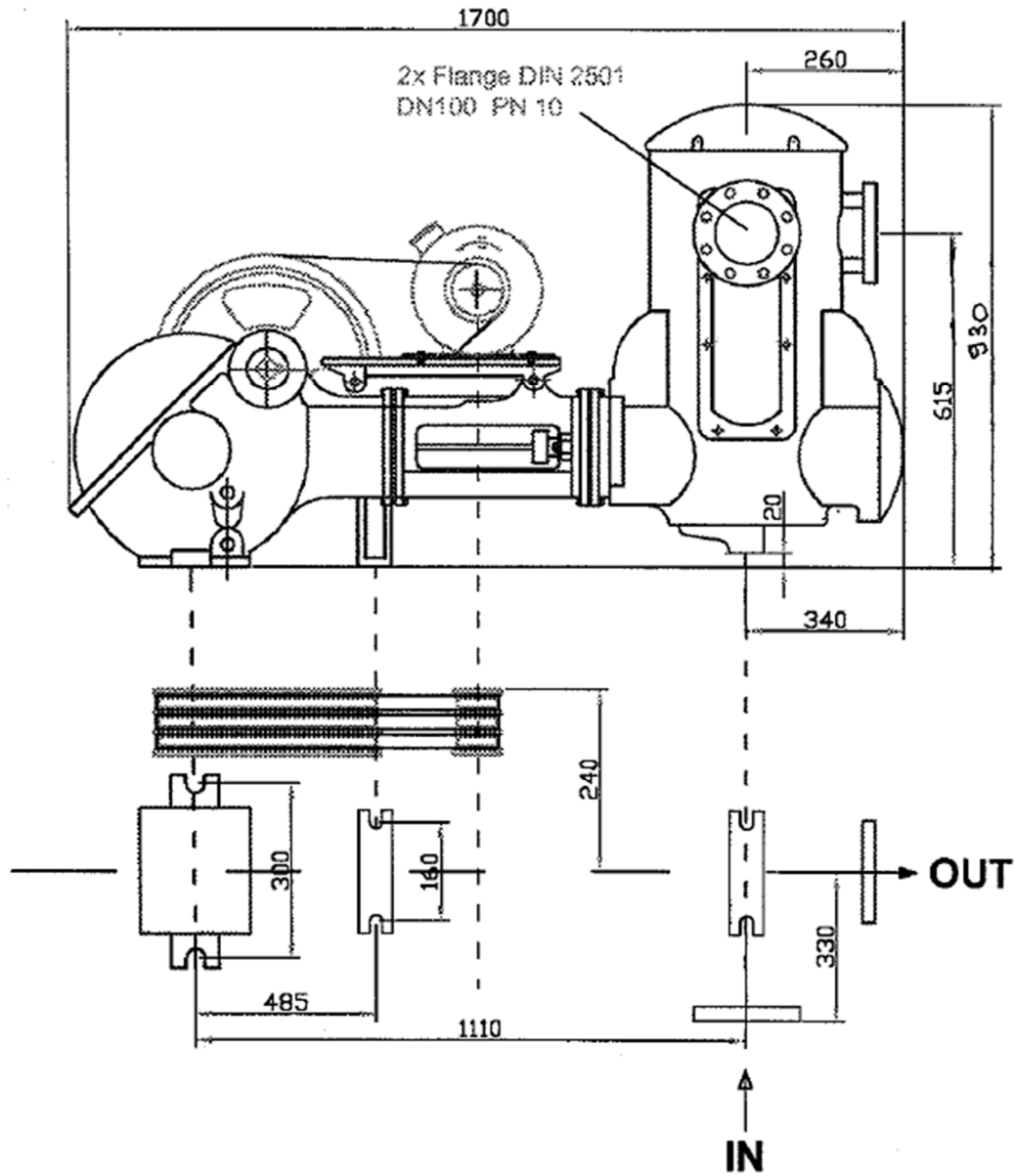
Clasal piston pumps are used for various types of soil decontamination:

- 1) The extraction of contaminated groundwater by means of well point dewatering or drains (pump & treat)
- 2) The lowering of the water table in order to create aerobic conditions, so that decomposing micro-organisms can become active. This method has the additional advantage of preventing further contamination of the groundwater.
- 3) Removal of organic pollution present on the surface of the groundwater. Piston pumps with a lower flow rate are often used for this application.



### Shipbuilding industry

Clasal piston pumps are often used as bilge pumps onboard vessels ranging from small fisher boats to 36 000-tonne oil tankers. In this case the pumps are made of seawater-resistant material.



### Pump specifications

Type		XL30	XL40	XL53
Q (flow)	m <sup>3</sup> /h	30000	40000	53000
Engine power (max 2 bar)	kW	3	4	4
Engine power (max 4 bar)	kW	5,5	7,5	11
Engine power (max 6 bar)	kW	7,5	11	15
Suction		DN 100 / 4"	DN 100 / 4"	DN 100 / 4"
Discharge		DN 100 / 4"	DN 100 / 4"	DN 100 / 4"
Dimensions lwxhxh	mm	1700x570x930	1700x570x930	1700x570x930



**Goliath canopy – features**

- Pump and motor are mounted on a sub-frame.
- The sub-frame rests on a hot-dip galvanized supports by means of vibration dampers.
- Wide doors and sectional panels ensure easy acces.
- Oil, fuel and air filters are easily accessible.
- Low noise level as a result of a soundproof casing.
- 120 litre fuel tank that gives 12 to 14 days of autonomy.
- Hot-dip galvanised chassis prevents soil being contaminated with oil or fuel.
- The capacity of the dip tray are larger than the fuel and oil tank combined.
- Battery supplied by a powerful alternator, which also charges at low speed
- Quality finish